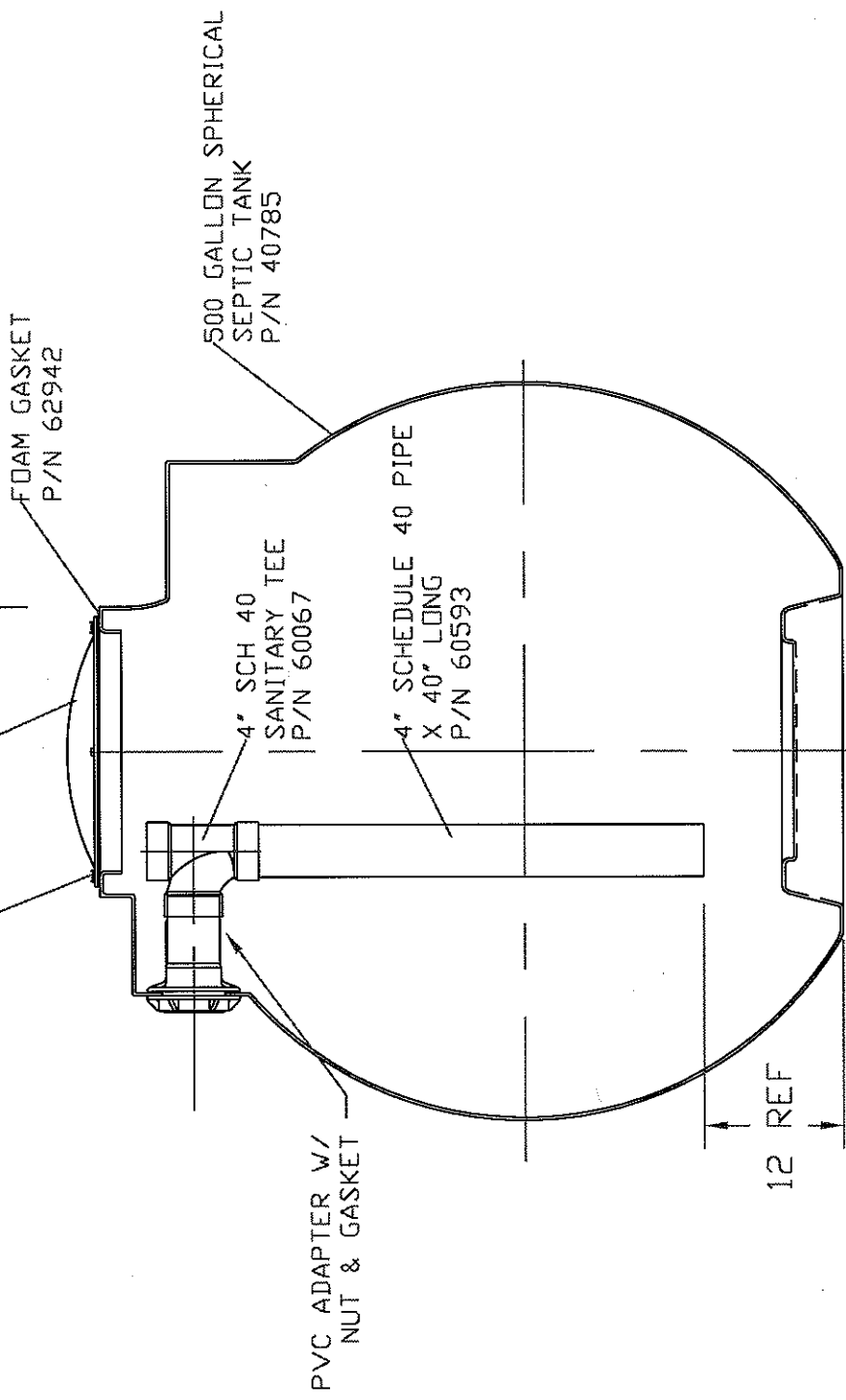


REVISIONS		
ZONE	REV	DESCRIPTION
	A	REDRN W/ PVC ADPTR
		DATE
		18JUL03
		APPROVED



NORWESCO
ST. BONIFACIUS, MN

500 GALLON SPHERICAL
DOSING TANK, OREGON

JTP	18JUL03	SIZE	FSCM NO.	DWG NO.	REV
		A		41409	
		SCALE 1/16		SHEET	

REVISIONS			
ZONE	REV	DESCRIPTION	DATE

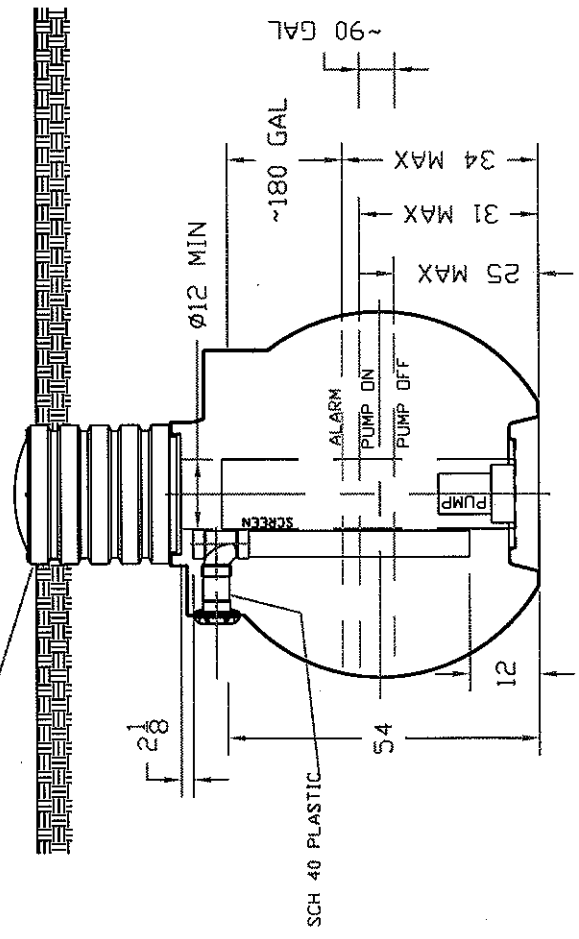
NOTES:

1. THIS TANK SHALL NOT BE INSTALLED WHERE THE ORDINARY HIGH WATER TABLE IS HIGHER THAN THE TANK BOTTOM.
2. AT INSTALLATION, AFTER BACKFILLING, BLOCK BOTH THE INLET AND OUTLET, AND FILL THE TANK WITH WATER TO A LEVEL TWO INCHES ABOVE THE CONNECTION OF THE RISER TO THE TANK. THE LEAKAGE OVER A 24-HOUR PERIOD SHALL BE LESS THAN ONE GALLON.
3. THE PASS-THROUGH PIPING OF THE TANK OUTLET MUST BE WATERTIGHT. USE NORWESCO GASKETED BULKHEAD FITTINGS OR EQUIVALENT.
4. ELECTRICAL CONNECTIONS MUST BE WATERTIGHT. FOLLOW NATIONAL ELECTRIC CODE AND PUMP MANUFACTURER'S GUIDELINES. WHERE GASKETS ARE NEEDED, USE POLYETHYLENE FOAM OR NEOPRENE. IF CAULKING IS NECESSARY, USE URETHANE CAULK.

AT INSTALLATION, EXTENSIONS SHALL BE INSTALLED AT THE MANHOLE EXTENDING TO THE GROUND SURFACE OR ABOVE.

USE NORWESCO P/N 62396 (24" H), AND/OR P/N 62397 (15" H). EACH EXTENSION INCLUDES FOUR SS SCREWS, AND A GASKET (ATTACHED W/ ADHESIVE) TO PROVIDE A WATERTIGHT INSTALLATION.

THE TANK LID IS FACTORY INSTALLED WITH A GASKET AND (4) #14 X 1 1/4 SS HEX HEAD SCREWS. THE LID, GASKET, AND SCREWS CAN BE RE-LOCATED FROM THE TOP OF THE TANK TO THE TOP OF THE MANHOLE EXTENSION.



		ST. BONIFACIUS, MN	
500 GALLON SPHERICAL		DOSING TANK	
JTP	18JUL03	SIZE FSCM NO. B	DWG NO. 41409I
SCALE 1/24		SHEET	