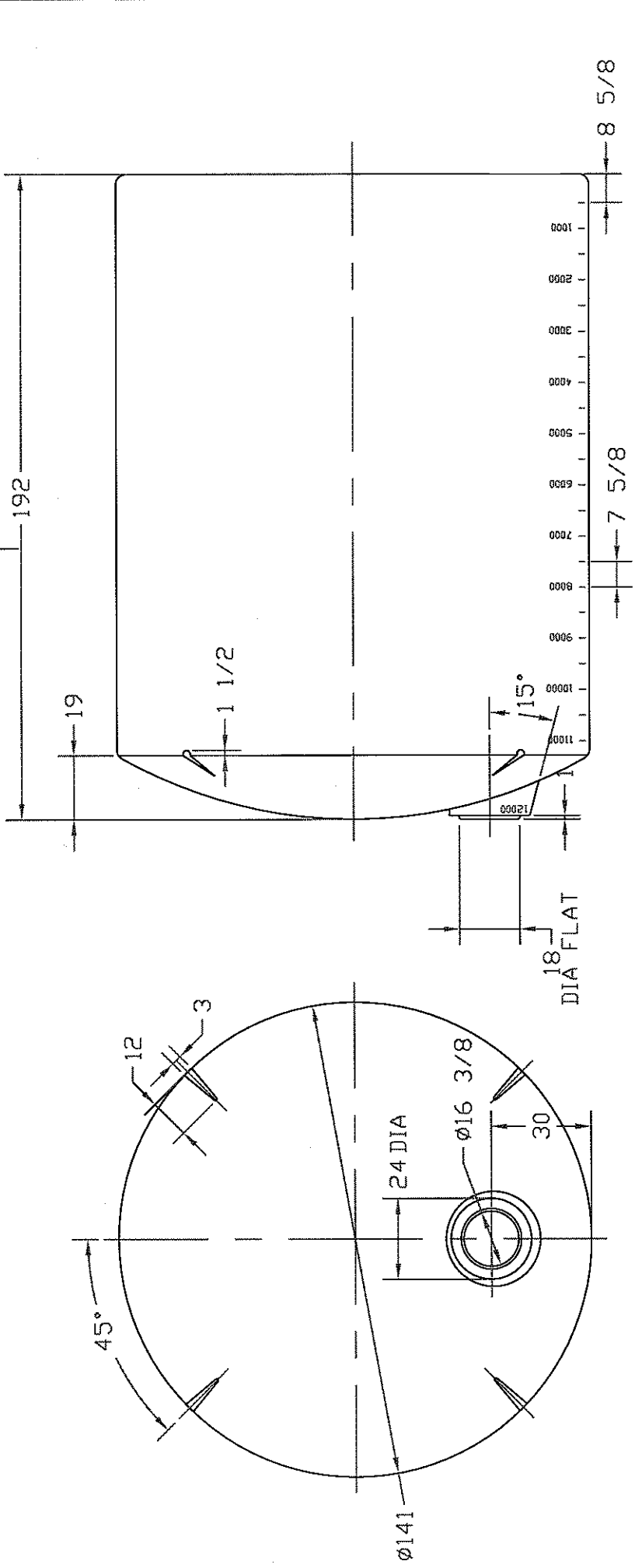


REVISIONS		
ZONE	REV	DESCRIPTION

DATE	APPROVED



<b>NORWESCO</b>		ST. BONIFACIUS, MN	
12000 GALLON VERTICAL		TANK MN & AL MOLD	
JTP	28APR93	SIZE	FSCM NO.
		B	
		OWG NO.	
		REV	
		SCALE	1/32
		SHEET	