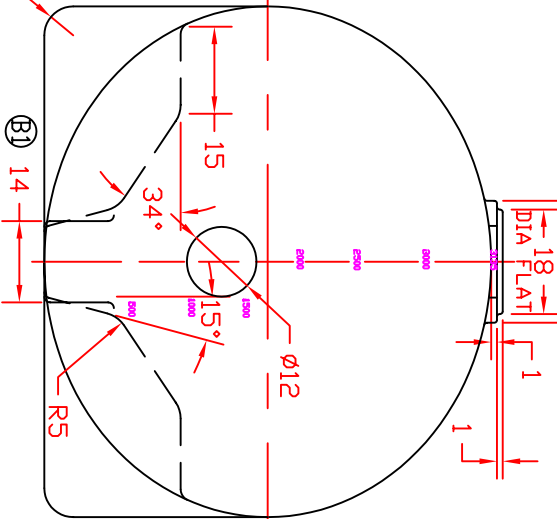
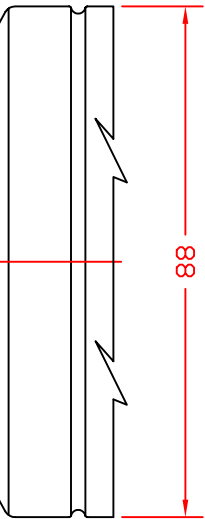
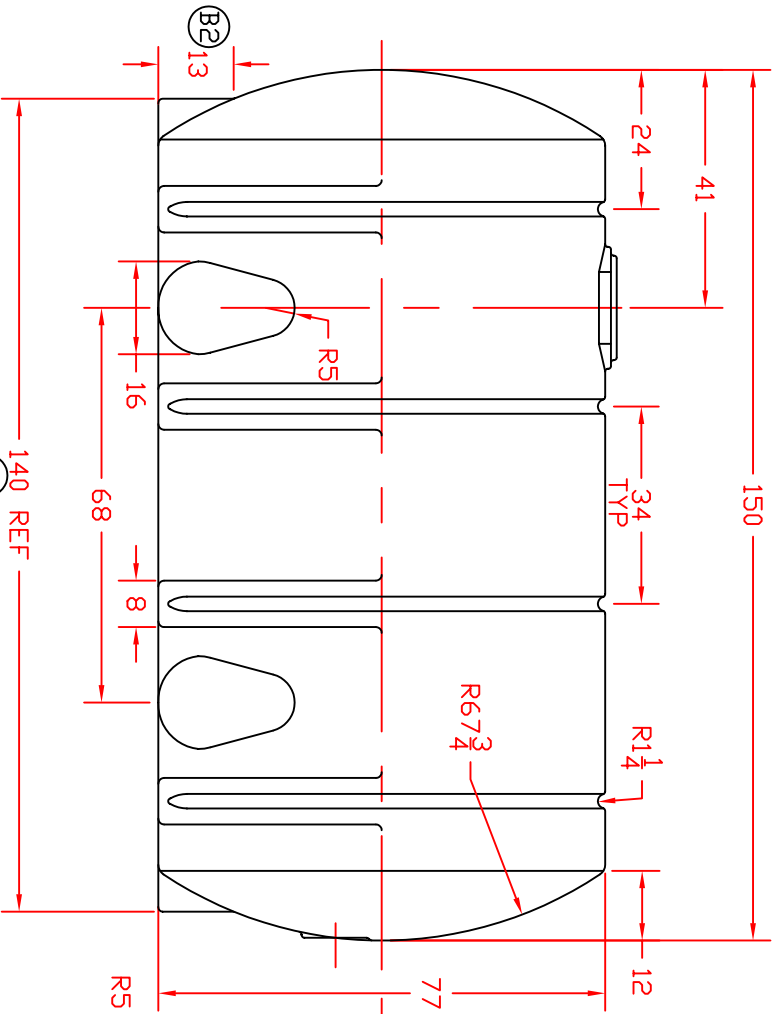
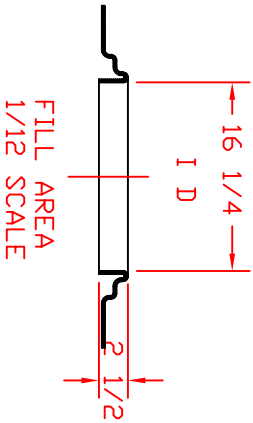


REVISIONS				
ZONE	REV	DESCRIPTION	DATE	APPROVED
	A	SPARGER FLAT REVSD	04JUN04	
	B	WAS ① ② 12 ③ 137 1/2	21NDV07	



NOTE: GALLON MARKERS ON OPPOSITE END ONLY

- 65 13/16
- 53 29/32
- 44 3/32
- 34 13/16
- 25 13/32
- 15 3/32
- 0

FOB ST BONIFACIUS, MN, SHAWNEE, OK, FAIRFIELD, TX, TODELE, UT AND HANFORD, CA

NORWESCO
 ST. BONIFACIUS, MN
 3135 GALLON
 ELLIPTICAL LEG TANK

JTP 29JUN95

SCALE 1/24

REV A