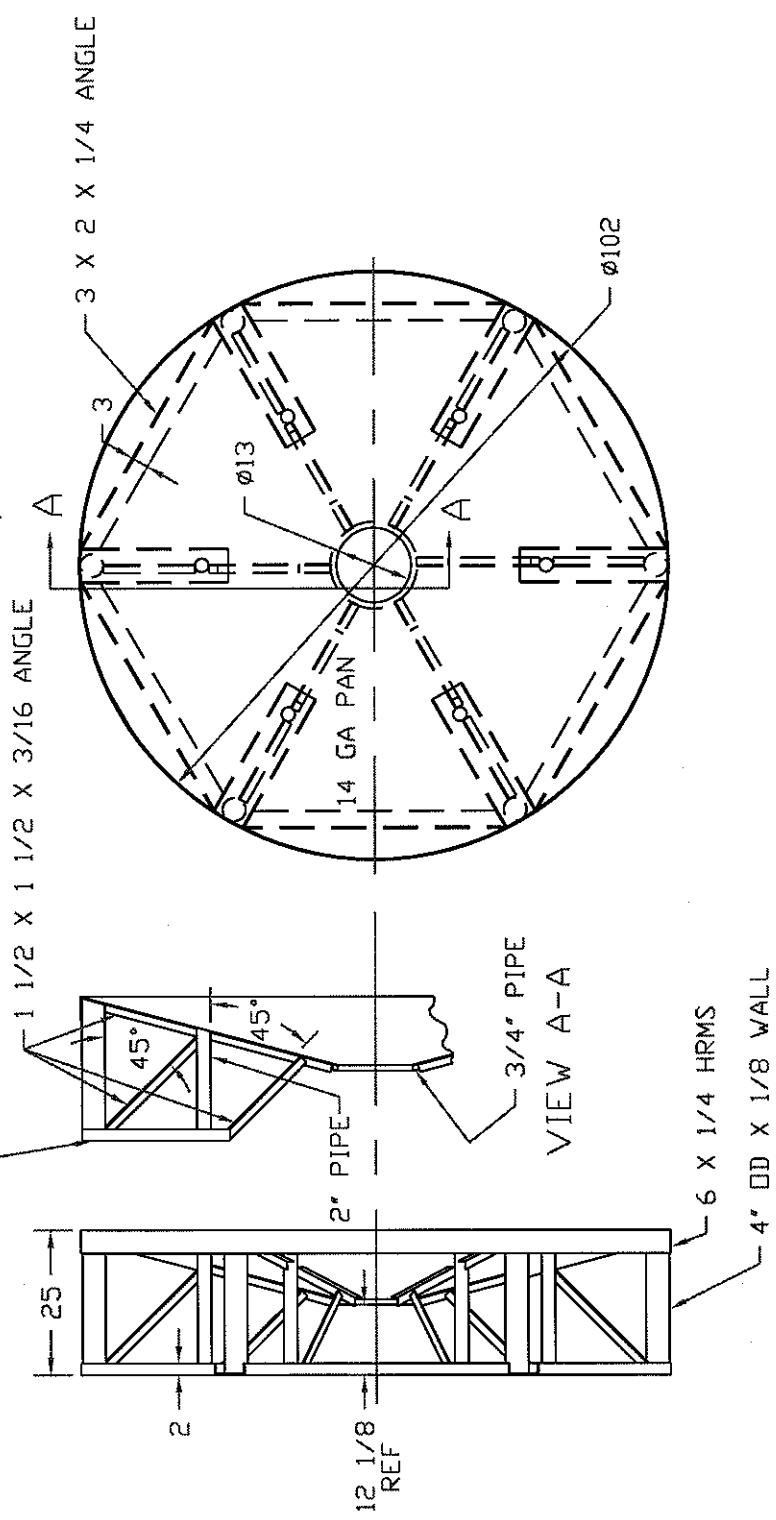


REVISIONS			
ZONE	REV	DESCRIPTION	DATE

6 X 8.2 # CHANNEL X 25 1/2 LONG
LEGS UP--SIX PLACES



JTP	09NOV99				
	SIZE	FSCM NO.	DWG NO.	REV	
	B				
SCALE 1/24				SHEET	

NORWESCO
ST. BONIFACIUS, MN
STEEL STAND, 6000 GAL
CONE BOTTOM TANK