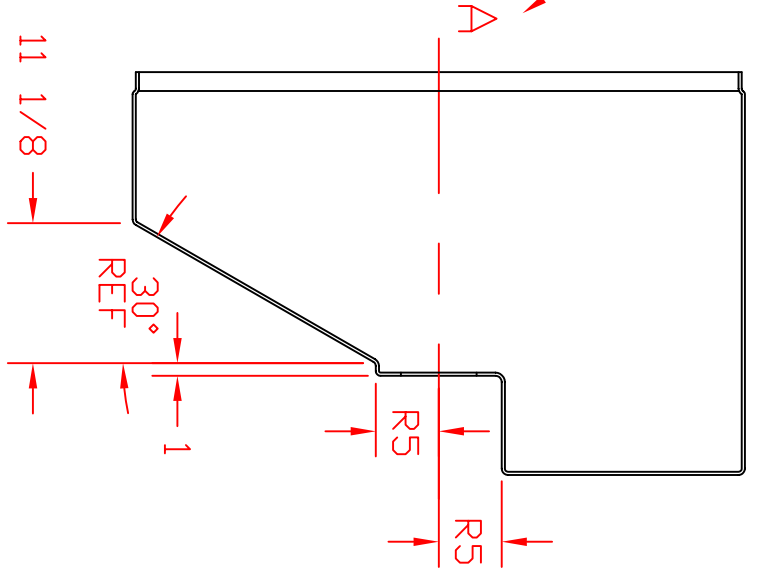
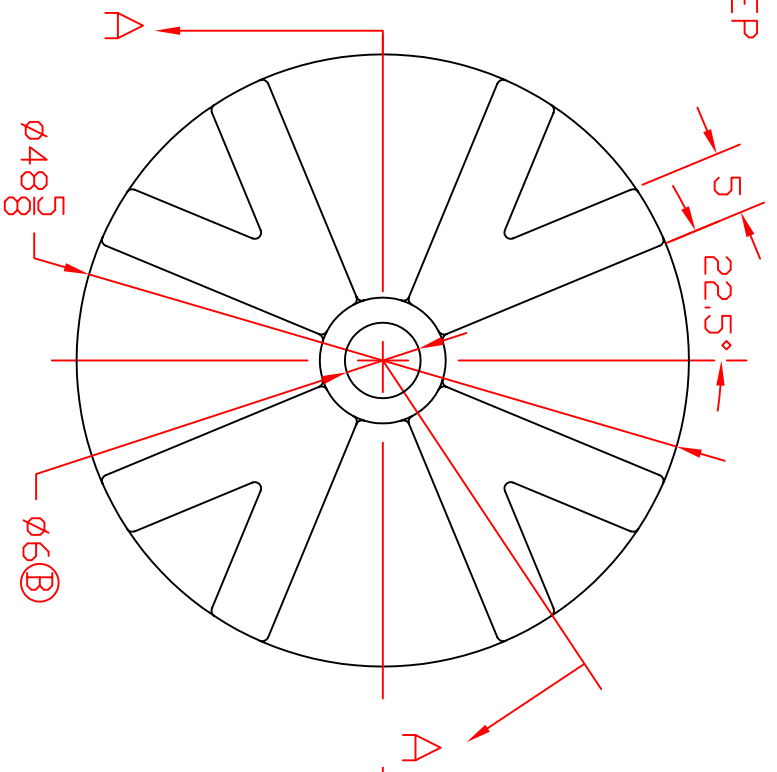
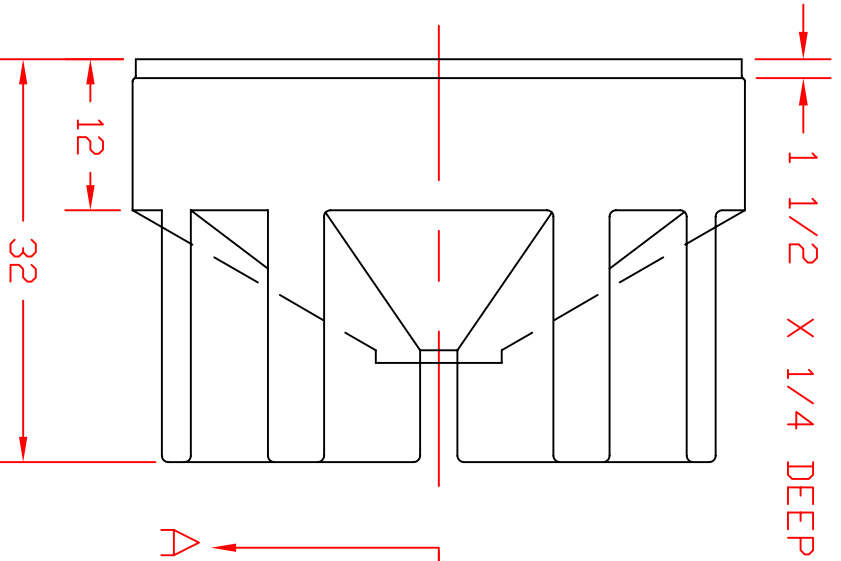


| REVISIONS | | | | |
|-----------|-----|-------------|----------|----------|
| ZONE | REV | DESCRIPTION | DATE | APPROVED |
| | A | REDRAWN | 21AUG97 | |
| | B | WAS Ø6 | 22 JAN07 | |



NORWESCO
 ST. BONIFACIUS, MN
 300/500 GALLON
 CONE BOTTOM STAND

JTP 21AUG97

SCALE 1/16

SHEET

REV B