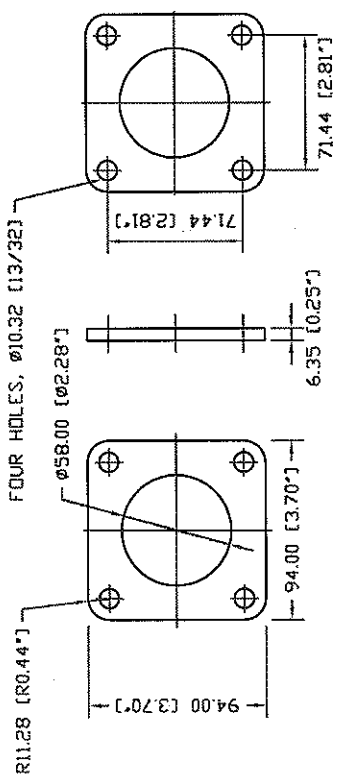
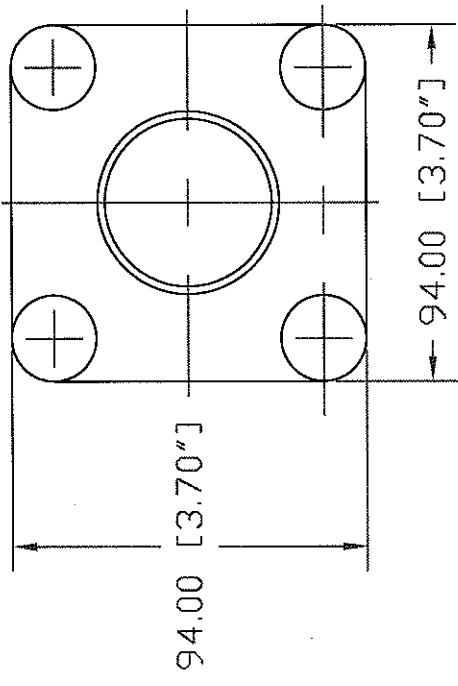


REVISIONS

ZONE	REV	DESCRIPTION	DATE	APPROVED

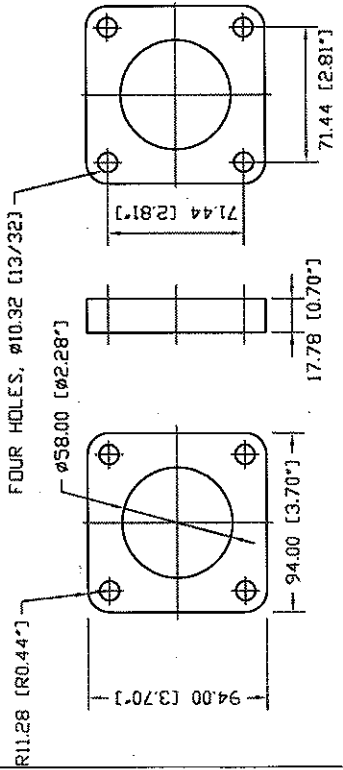
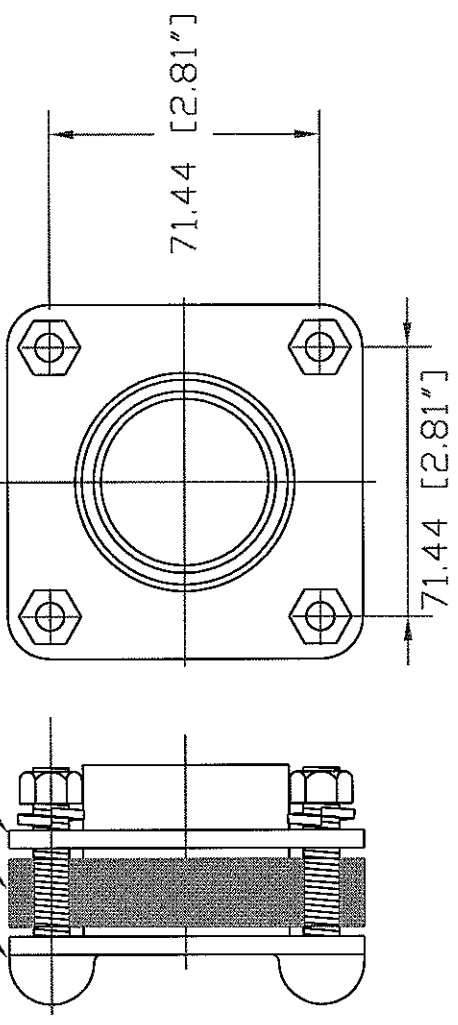


EPDM GASKET P/N 63206  
 VITON GASKET P/N 63225  
 1/4" SCALE



CAST BACK PLATE  
 ONE GASKET REQ'D TO  
 COMPLETE FITTING

FRONT PLATE



PE FOAM GASKET P/N 63042  
 1/4" SCALE

**NORWESCO**  
 ST. BONIFACIUS, MN

1 1/2" SS BOLTED FITTING  
 ASSEMBLY, DOUBLE THD

JTP	20AUG01	SIZE	FSCM NO.	DWG NO.	REV
		A		63037	
SCALE 1/2				SHEET	