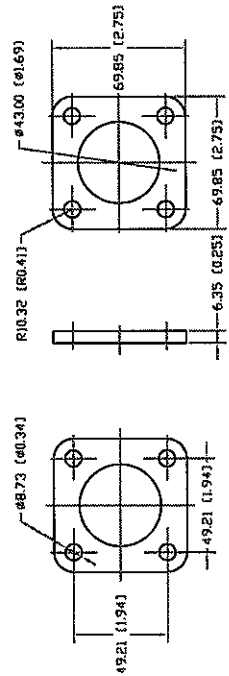


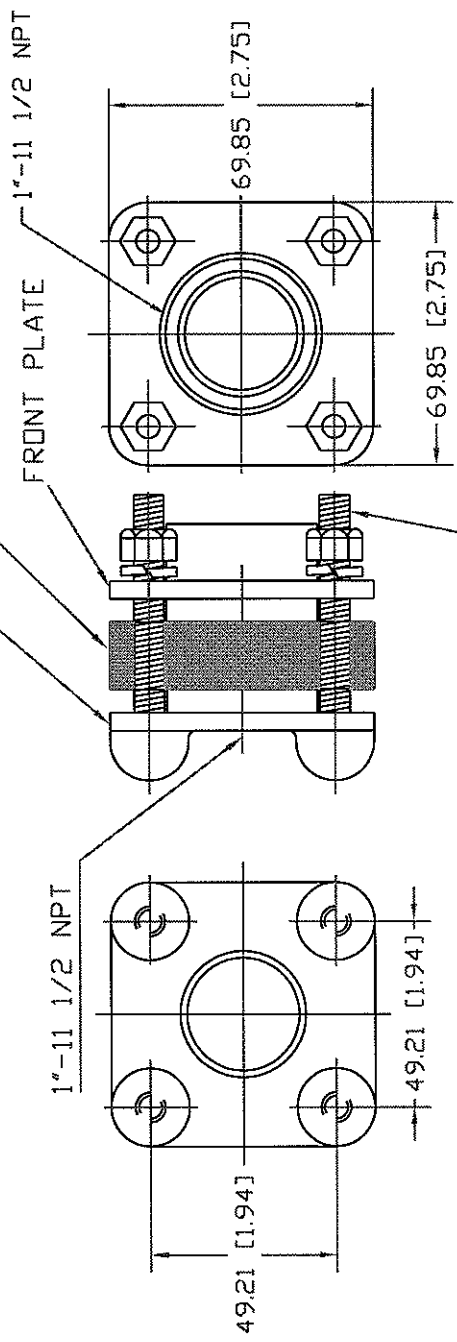
REVISIONS

ZONE	REV	DESCRIPTION	DATE	APPROVED

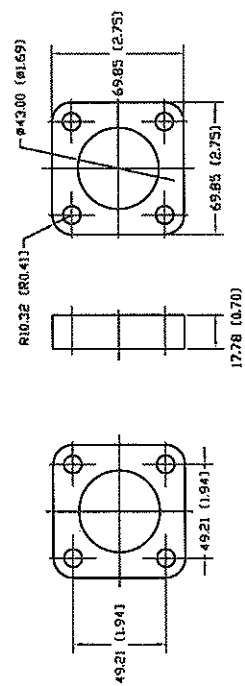


EPDM GASKET P/N 63205
 VITON GASKET P/N 63224
 1/4 SCALE

CAST BACK PLATE
 ONE GASKET REQ'D TO COMPLETE FITTING



5/16"-18 STUDS W/ LW & NUT



PE FOAM GASKET P/N 62950
 1/4 SCALE

NORWESCO
 ST. BONIFACIUS, MN

1" SS DBL THD BLTD FTG
 ASSEMBLY

JTP 01MAR01	SIZE A	FSCM NO.	DWG NO. 62948	REV
SCALE 1/2			SHEET	